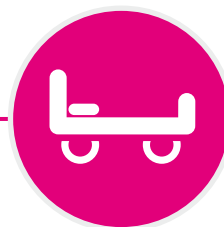


Mosè Mini

Italian design and technology in the world



HOSPITAL BED

Frequent usage

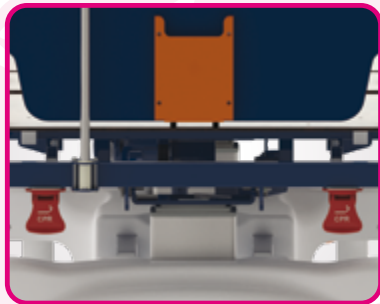
Hospitalization

Semi-intensive care unit





**BRAKING BAR FOR CENTRALIZED
BRAKING SYSTEM
EQUIPMENT CODE AC7L2G**



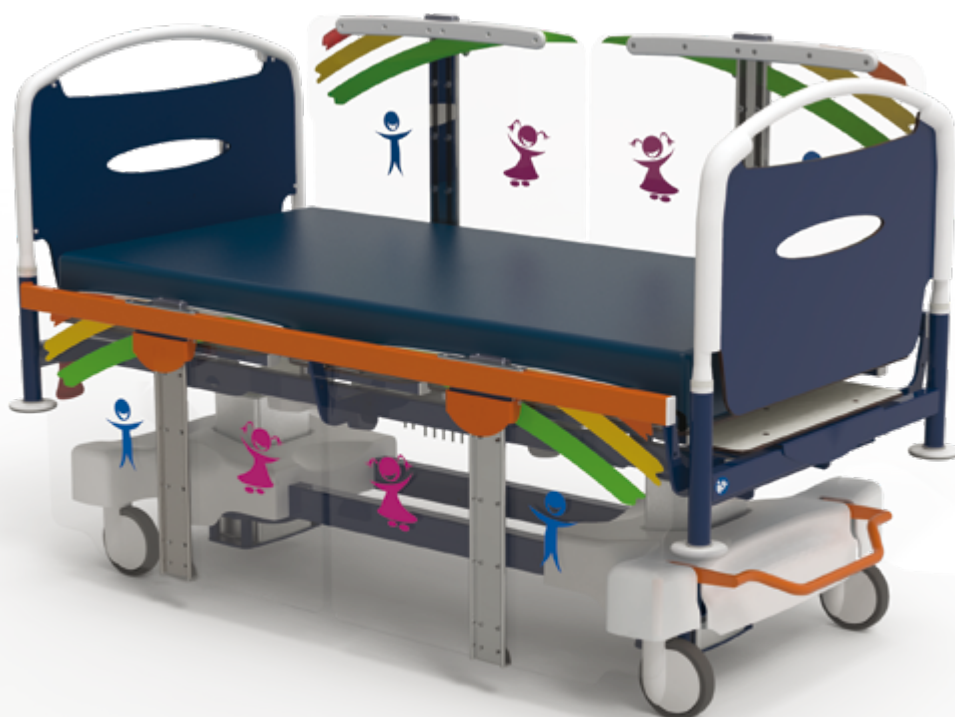
**QUICK RELEASE BACK SECTION.
BILATERAL LEVERS
EQUIPMENT CODE AC8L**



**FRAME MADE OF STEEL PAINTED WITH
THERMOSETTING EPOXY POWDERS
ENRICHED WITH ANTIBACTERIAL.**

Benefits

- Frame in high performing painted steel, with thermosetting paint enriched with antibacterial products.
- Low voltage spline motors.
- Total absence of mechanism and leverism underneath the bed surface for an efficient sanitification.
- Patient surface covered with HPL panels for easy sanitification.
- Lying surface height 565 mm.
- Emergency power supply system by rechargeable batteries. 10 cycles duration.
- Lightweight and easily removable Head/foot panels.
- 400 mm bed extension for taller paediatric patient.
- Side barriers made out of transparent material, designed to protect and supervise the little patients. Handle with integrated lever for movement (see standard configuration).
- Clearance suitable for patient hoist.
- Easy access to clean the floor underneath the bed.
- Lying surface height 570 mm, high performing in presence of motorized columns and integrated weighing system.
- High load wheels allow easy movement even while the patient is on the bed.
- Any parts or component of the bed are subject to wear and tear.
- Absence of parts that need to be greased.
- Base covered in thermoformed ABS.
- Latex and phtalates free.



Would you like to customize upholstery or frame?

Scan or click the QR code and discover how to customize the device consulting our colour chart.

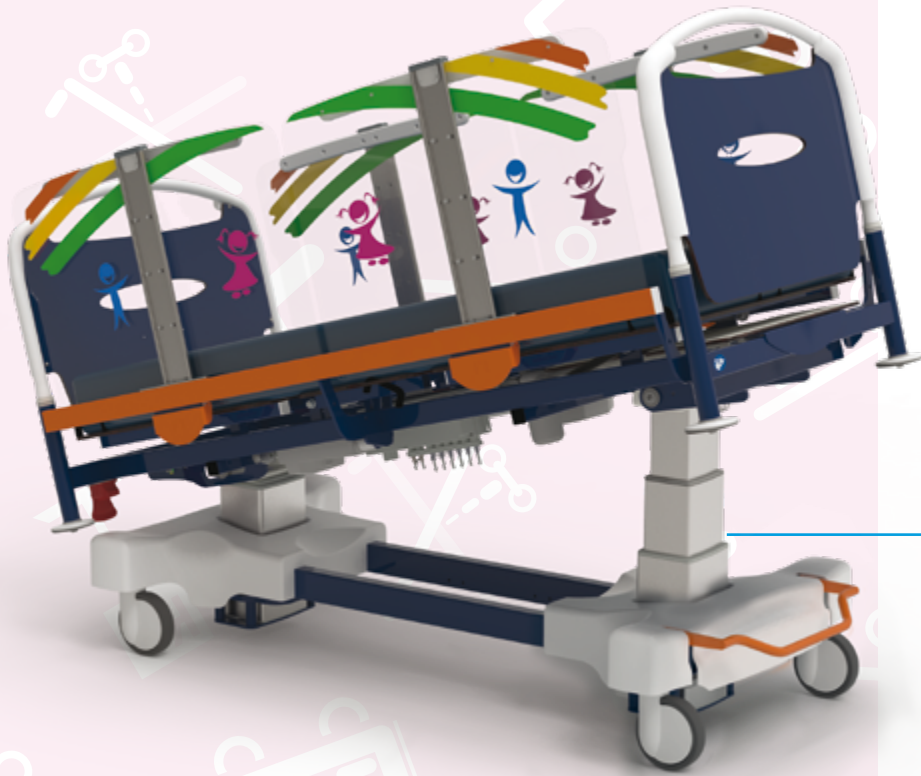
Standard features

- Lying HPL surface with 3 sections and 2 joints.
- Motorized back section 0-71° (approx.).
- Motorized femoral section 0-30°.
- Movimentation of the leg section by gas spring, synchronized with the leg section 0-35°.
- Height adjustment column.
- Trendelenburg and reverse Trendelenburg carried out by motorized telescopic columns.
- Painted steel frame in thermosetting powder. Wide range of colours at page 7.
- Manual bed extension up to 400 mm - Codice dotazione AC61/3 (available in motorized version with extension up to +400 mm accessory code AC61/4).
- Quick release of the backrest through dedicated lever for CPR emergency manoeuvre - Equipment code AC8L.
- Emergency battery - Equipment code AC17L.
- Head and foot board in thermoplastic material with HPL panel - Equipment code AC65.
- Side barriers made out in transparent material. Handles with integrated levers for movement - Equipment code AC71.
- Safety lock for sides AC71, made with a positioning piston with black-oxide steel flange. Possible stop in retracted position.
- Non-marking swivel wheels Ø 150 mm with centralized braking device in galvanized steel with directional system. Activated by means of a bar located on the rear side - Equipment code AC7L2G.
- ABS thermoformed base cover.
- No. 4 bumpers.
- Cable holder - Equipment code AC50L.
- Equipotential node.
- 10 buttons handset. Movements are controlled by handset with a 3,5 m coiled cable. The handset is user friendly and has visual pictograms useful for partially sighted people. For patient's safety purpose the handset is provided with an inhibition key - Equipment code AC34P. Insulation IP66.
- Handset inhibition key - Equipment code AC34L.
- Predisposition for IV pole - Equipment code AC4L/S.
- Bag holders.
- User holder located on the back of device.

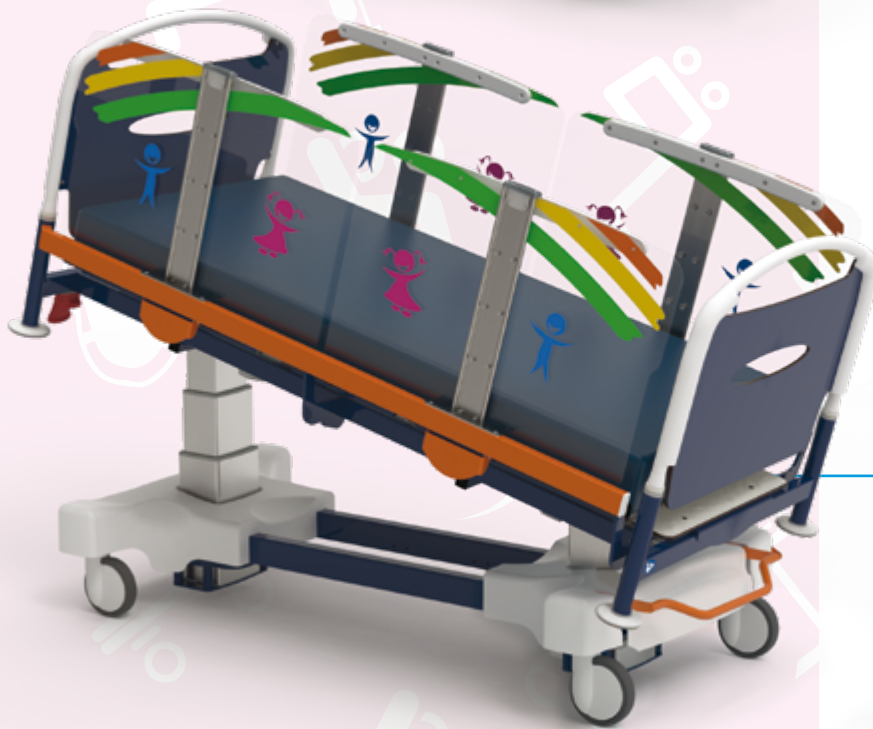


10 BUTTONS HANDSET

Movements



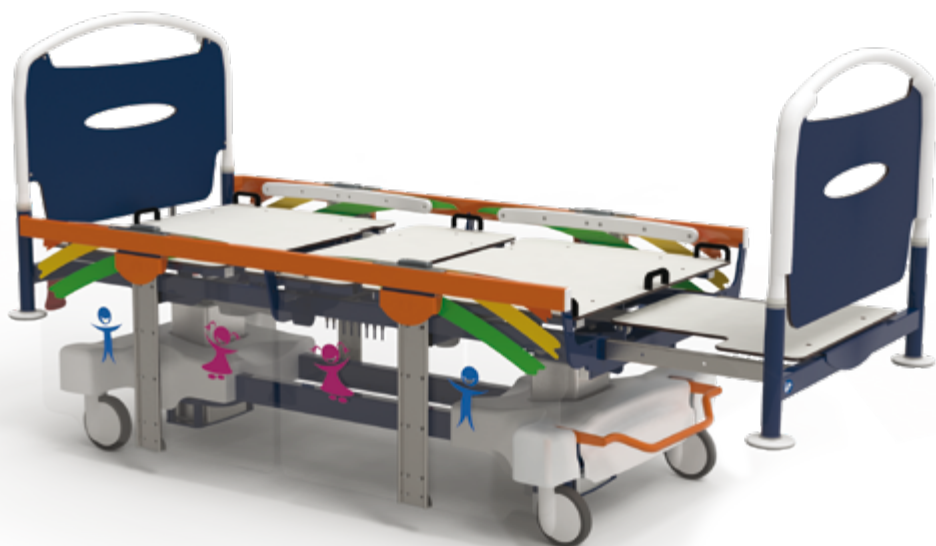
TRENDELENBURG



REVERSE TRENDELENBURG

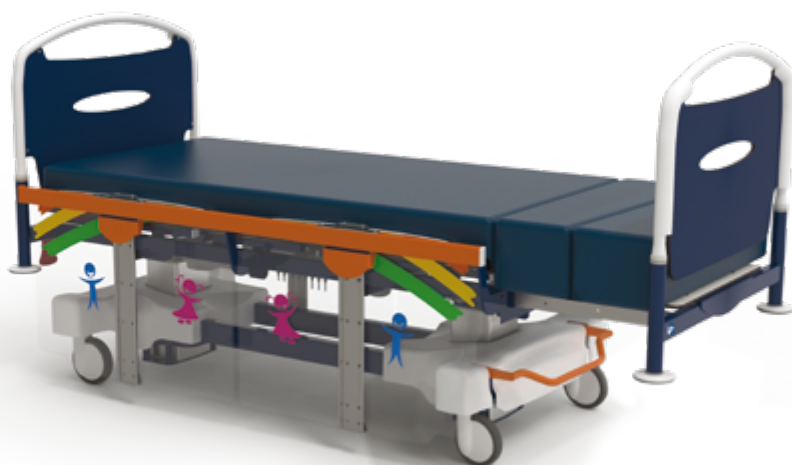


REMOVABLE SIDE BARRIERS



MANUAL BED EXTENSION UP TO 400 MM - CODICE DOTAZIONE AC61/3 (AVAILABLE IN MOTORIZED VERSION WITH EXTENSION UP TO +400 MM ACCESSORY CODE AC61/4).

Recommended accessories



PAEDIATRIC MATTRESS
CODE AC44/18S

EXTRA PAEDITRIC MATTRESS FOR
BED LONGATION 200 MM
QUANTITY 2
ACCESSORY CODE AC61/2

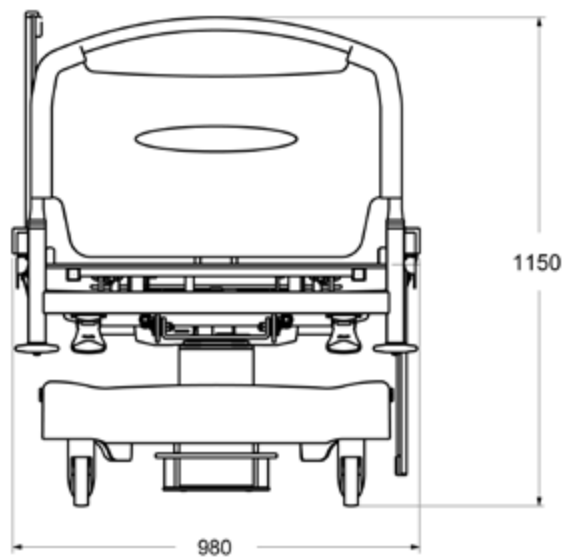
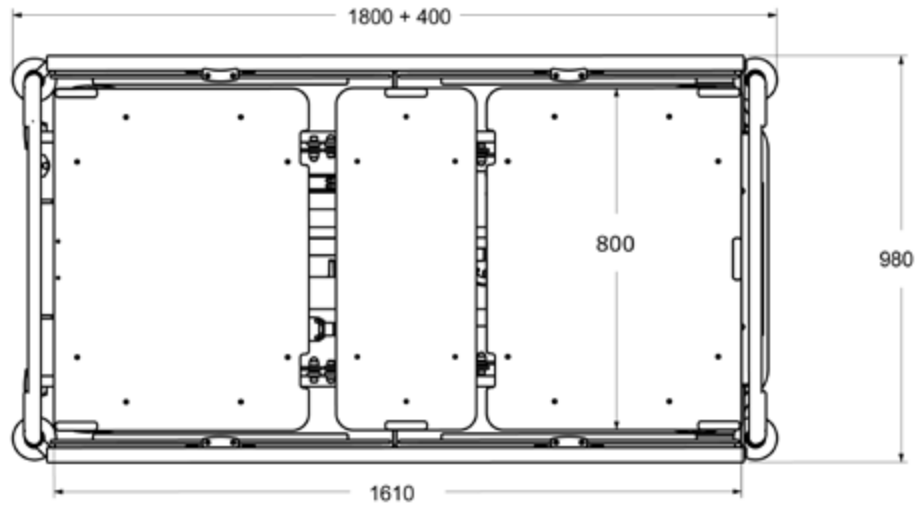
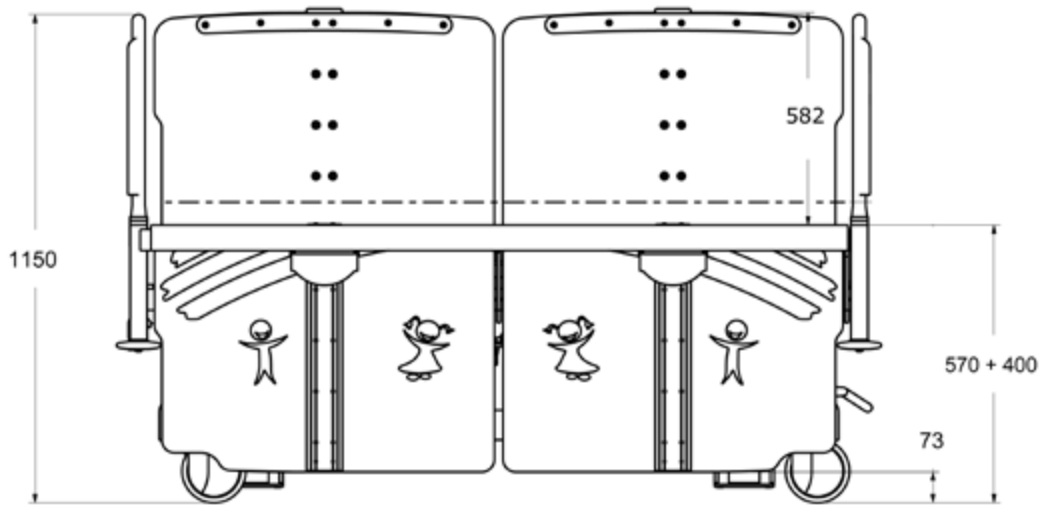


OXYGEN HOLDER
ACCESSORY CODE AC95L

IV POLE HOLDER
ACCESSORY CODE AC4L

LIFTING ROD
ACCESSORY CODE AC43L

Dimensions



Technical sheet

GMDN Code	37010
ID Product	GB0016.MP Painted steel
Inteded use	Multifunctional bed
Manufacturer	GARDHEN BILANCE SRL
Spare parts availability	10 years
Overall weight	168 kg
Control	Handset with key
Battery	10 cycles of autonomy
Power	Multivoltage 100-240 Vac 50/60 Hz
Main cord	Schuko or other upon request
Wheels	Nr. 4 swiveling and stainless 150 mm with braking system
Electric motors	Low voltage (24 V)
Max electrical input	4A
Insulation	IP44
Max load	150 kg
Safety working load	185 kg

MAIN CORD



Type F - Schuko



Type L - 16A



Type I - Australia



Type B - Canada and USA



Type G - UK plug

For certifications please refer to "Certifications and Quality system" section

Pictures contained in this brochure is for illustrative purpose only. The manufacturer reserves the right to modify the projects without notice. For accessories identification please refer to the accessory catalogue or commercial offer. When data are different please refer to commercial offer.

Dep. EN_148 rev. 08/03/2022